

**Ersatzteilliste
Spare Parts List
Liste des pièces de rechange**

K 4000 GS

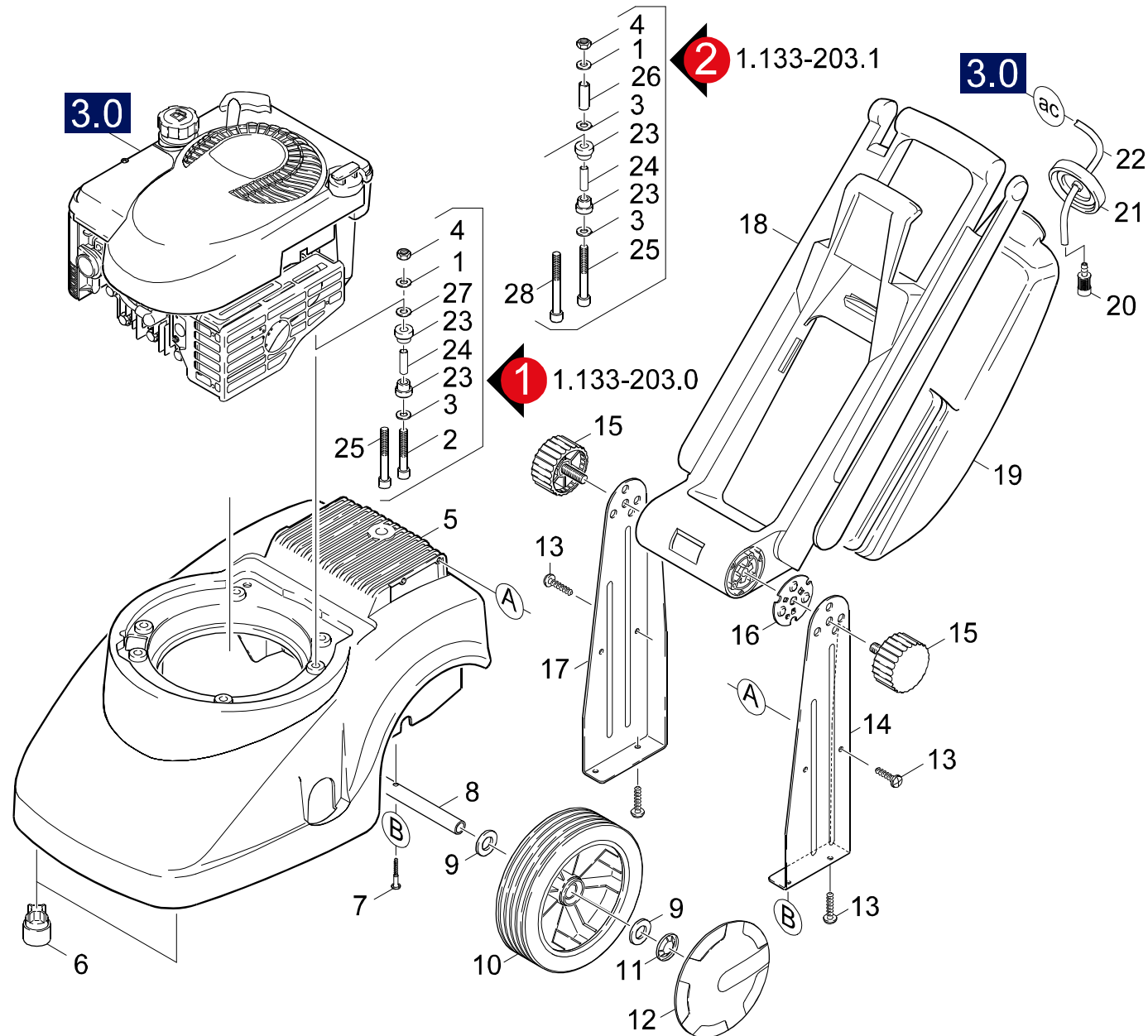
1.133-203.0 K 4000 GS

GRUPPE: 1.0 EINZELTEILE
GROUP: 1.0 PIECE PARTS
GRUPPE: 1.0 PIECES CONSTITUANTES

A1

K 4000 GS

GRUPPE: 1.0 EINZELTEILE
GROUP: 1.0 PIECE PARTS
GRUPPE: 1.0 PIECES CONSTITUANTES



Symbolbeschreibung siehe M16 / symbol description see M16 / désignation de système voir M16 /

GRUPPE: 1.0 EINZELTEILE
 GROUP: 1.0 PIECE PARTS
 GROUPE: 1.0 PIECES CONSTITUANTES

C1

K 4000 GS

POS. ITM. POS.	BENNENNUNG DESCRIPTION DESIGNATION	TEILE-NR. PART-NO. NO.PIECE	STCK QTY. NBR.	POS. ITM. POS.	BENNENNUNG DESCRIPTION DESIGNATION	TEILE-NR. PART-NO. NO.PIECE	STCK QTY. NBR.
1	SCHEIBE 8 / WASHER / RONDELLE VERSION 2	7.312-004.0	3	25	ZYL.SCHR. M 8X100 / CHEESE HEAD SCREW / VIS A TETE CYLINDR. VERSION 2	9.186-005.0	2
1	SCHEIBE 16X25X4 / WASHER / RONDELLE VERSION 1	9.036-390.0	3	25	ZYL.SCHR. / CHEESE HEAD SCREW / VIS A TETE CYLINDR. VERSION 1	9.186-008.0	2
2	ZYL.SCHR. M 8X 70 / CHEESE HEAD SCREW / VIS A TETE CYLINDR. VERSION 1	9.186-007.0	2	26	DISTANZHUELSE / SPACER SLEEVE / ENTRETOISE VERSION 2	9.151-004.0	3
3	SCHEIBE 8,4X21X1,5 / WASHER / RONDELLE VERSION 2	9.086-009.0	3	28	ZYL.SCHR. M 8X130 / CHEESE HEAD SCREW / VIS A TETE CYLINDR. VERSION 2	9.186-006.0	1
3	SCHEIBE / WASHER / RONDELLE VERSION 1	9.198-002.0	3				
4	MUTTER / NUT / ECROU	9.197-002.0	3				
5	FORMTEIL / MOULDED PART / PREFORME	9.036-262.0	1				
6	FUSS / FOOT / PIED	9.048-024.0	2				
7	SCHRAUBE 5,0X40 / SCREW / VIS	9.086-162.0	2				
8	ACHSE / AXLE / ESSIEU	9.039-057.0	1				
9	SCHEIBE 16 / WASHER / RONDELLE	7.312-019.0	4				
10	RAD D 180 / WHEEL / ROUE	6.435-196.0	2				
11	SICHERUNGSSCHEIBE / LOCK WASHER / RONDELLE D'ARRET	6.343-168.0	2				
12	RADKAPPE / WHEEL CAB / ENJOLIVEUR	6.435-197.0	2				
13	SCHRAUBE 5,0X 20 / SCREW / VIS	6.303-125.0	6				
14	BLECHTEIL / PLATE / TOLE	9.039-056.0	1				
15	DREHKNOPF / TURNING KNOB / BOUTON TOURNANT	5.326-011.0	2				
16	BLECHTEIL / PLATE / TOLE	5.045-794.0	2				
17	BLECHTEIL / PLATE / TOLE	9.039-064.0	1				
18	GRIFF / HANDLE / POIGNEE	9.036-277.0	1				
19	TANK / TANK / RESERVOIR	5.071-049.0	1				
20	FILTER / FILTER / FILTRE	4.862-032.0	1				
21	TANKDECKEL M.VENTIL / CAP OF A TANK / BOUCHON DE RESERVOIR	6.412-057.0	1				
22	SCHLAUCH DN 5 / HOSE / TUYAU FLEXIBLE ALS METERWARE BESTELLEN/TO ORDER AS CUT GOODS/COMMANDE COMME MARCHANDISE AU METRE	6.388-216.0	2				
23	GUMMIPUFFER / RUBBER BUFFER / BUTOIR CAOUTCHOUC	9.048-030.0	6				
24	DISTANZHUELSE / SPACER SLEEVE / ENTRETOISE VERSION 2	9.039-078.0	3				
24	DISTANZHUELSE / SPACER SLEEVE / ENTRETOISE VERSION 1	9.039-095.0	3				

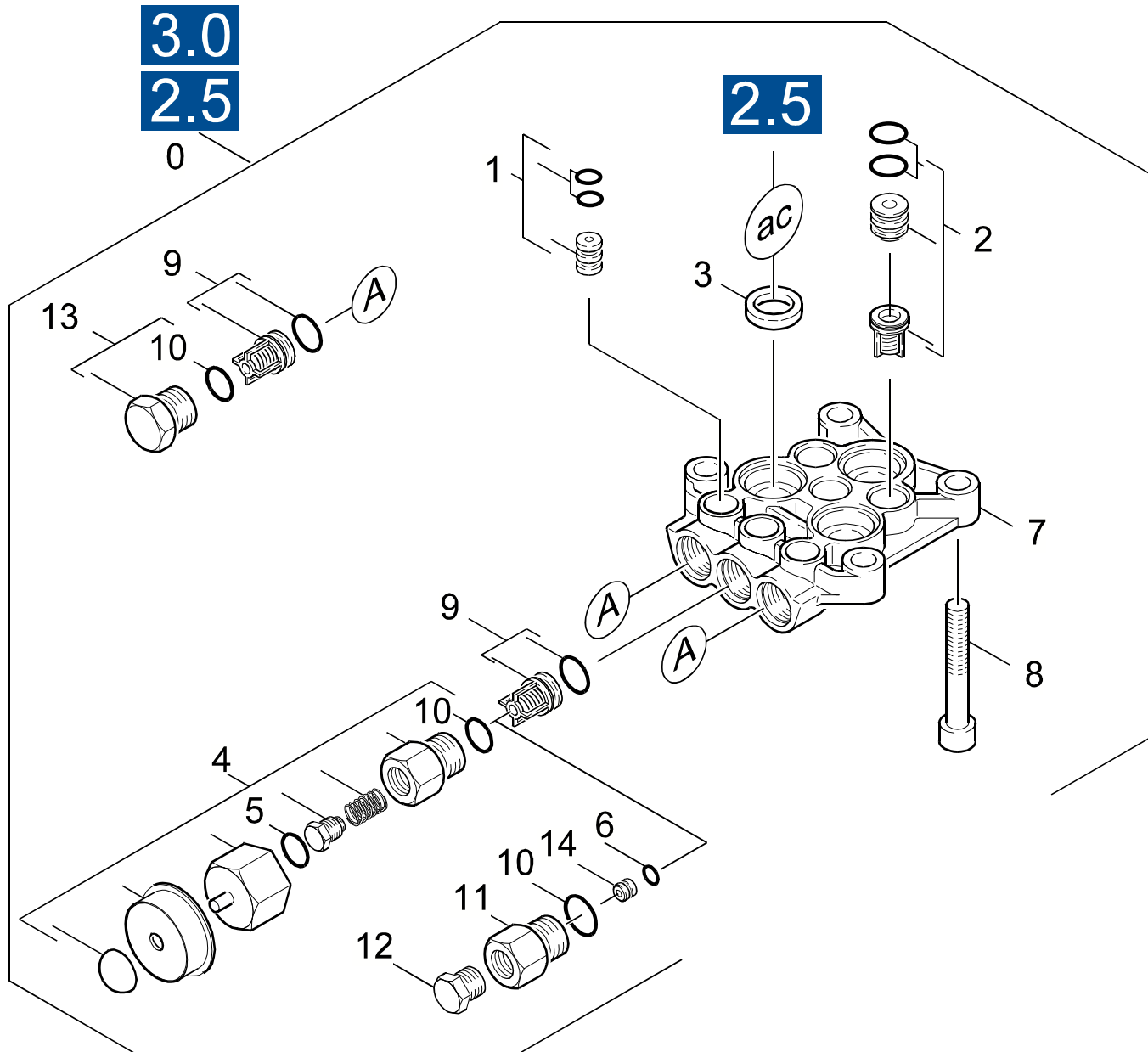
"=> xxxxxx" = bis Werknummer / up to serial No. / jusqu' au No. de fabr. / "xxxxxx =>" = ab Werknummer / from serial No. / a partir du No. de fabr. /

GRUPPE: 2.0 PUMPENSATZ
GROUP: 2.0 PUMP SET
GRUPPE: 2.0 JEU (ENSEMBLE) DE POMPE

A2

K 4000 GS

GRUPPE: 2.0 PUMPENSATZ
GROUP: 2.0 PUMP SET
GRUPPE: 2.0 JEU (ENSEMBLE) DE POMPE



Symbolbeschreibung siehe M16 / symbol description see M16 / désignation de système voir M16 /

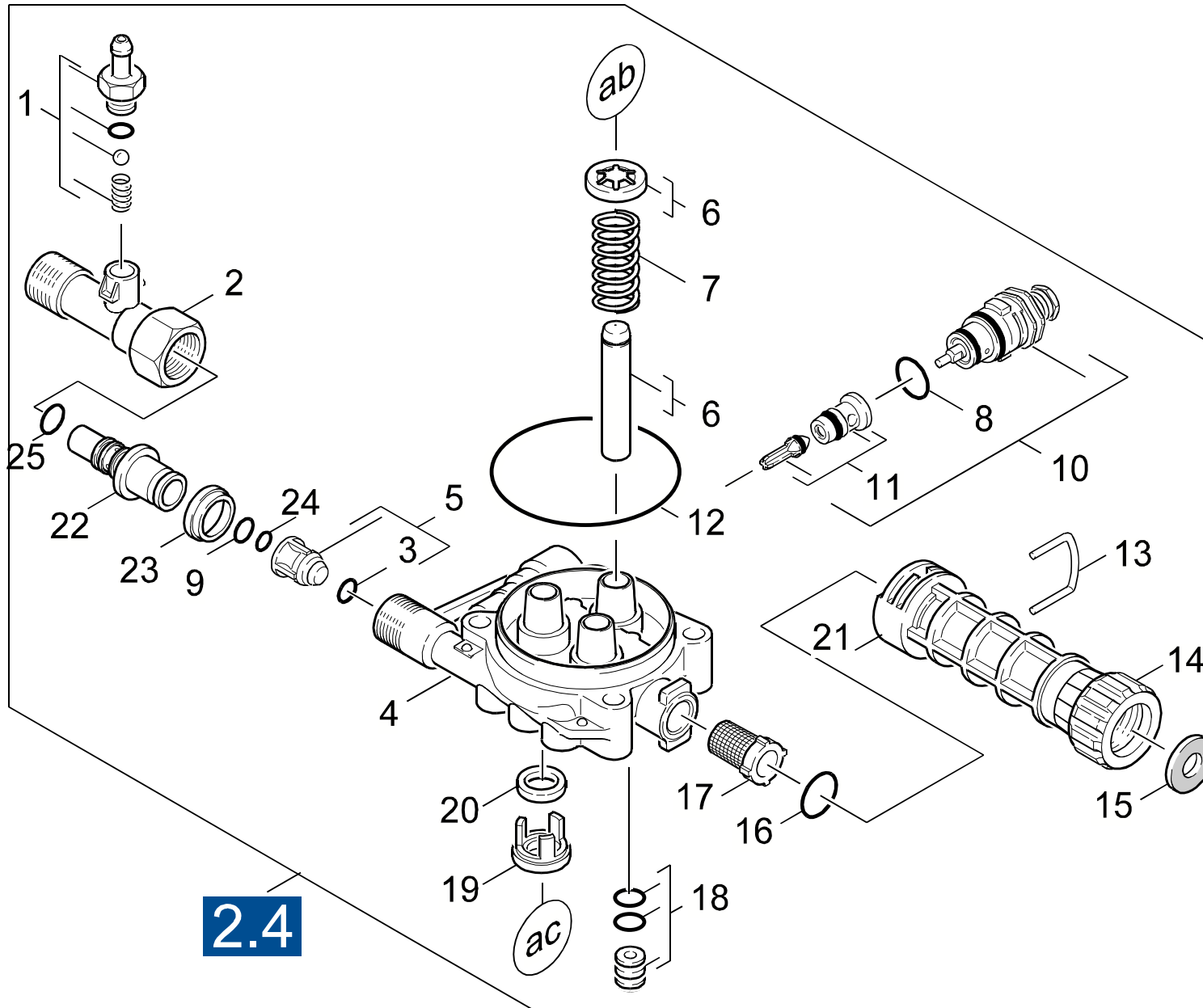
GRUPPE: 2.1 ZYLINDERKOPF
 GROUP: 2.1 CYLINDER HEAD
 GROUPE: 2.1 CULASSE

C2

K 4000 GS

POS. ITM. POS.	BENNENNUNG DESCRIPTION DESIGNATION	TEILE-NR. PART-NO. NO.PIECE	STCK QTY. NBR.
0	PUMPENSATZ K 4000GS / PUMP SET / JEU (ENSEMBLE) DE POMPE / 1.133-203.0	9.011-252.0	1
1	DICHTBUCHSE / DICHTBUCHSE / DICHTBUCHSE	4.363-016.0	1
2	SAUGVENTIL / VALVE / SOUPAPE	9.011-331.0	3
3	NUTRING / GROOVED RING / JOINT A LEVRES	6.362-875.0	3
4	THERMOVENTIL KPL. / VALVE / SOUPAPE VERSION 2	9.011-329.0	1
5	O-RING 9,19X2,62 / GASKET / BAQUE D'ETANCHEITE	9.081-396.0	1
6	O-RING 3,0 X 1,0 / GASKET / BAQUE D'ETANCHEITE VERSION 1	6.362-439.0	1
7	ZYLINDERKOPF / CYLINDER HEAD / CULASSE	9.045-053.0	1
8	ZYL.SCHR. M 8X50 / CHEESE HEAD SCREW / VIS A TETE CYLINDR.	9.096-947.0	4
9	VENTIL KPL. / VALVE / SOUPAPE	4.580-285.0	3
10	O-RING 12,42X 1,78 / GASKET / BAQUE D'ETANCHEITE	6.362-478.0	3
11	GEWINDEBOLZEN / PIN / BOULON TARAUDE VERSION 1	9.045-072.0	1
12	STELLSCHRAUBE / ADJUSTING SCREW / VIS DE CALAGE VERSION 1	9.045-075.0	1
13	DRUCKVENTIL / PRESSURE VALVE / SOUPAPE	9.011-262.0	2
14	NIPPEL / NIPPLE / NIPPLE VERSION 1	5.409-273.0	1

"=> xxxxxx" = bis Werknummer / up to serial No. / jusqu' au No. de fabr. / "xxxxxx =>" = ab Werknummer / from serial No. / a partir du No. de fabr. /



Symbolbeschreibung siehe M16 / symbol description see M16 / désignation de système voir M16 /

GRUPPE: 2.2 KOLBEN
GROUP: 2.2 PISTON
GROUPE: 2.2 PISTON

E2

K 4000 GS

POS. ITM. POS.	BENNENNUNG DESCRIPTION DESIGNATION	TEILE-NR. PART-NO. NO.PIECE	STCK QTY. NBR.
1	ET-SET CHEMIE / SPARE PARTS SET / JEU DE PIECES DECHANGE	2.883-867.0	1
2	T-STUECK / T-PIECE / PIECE EN T	9.045-056.0	1
3	O-RING 7X2 NBR90 / GASKET / BAQUE D'ETANCHEITE	6.362-898.0	1
4	GERADSCHUBFUEHRUNG / HOUSING / BOITIER	9.045-063.0	1
5	DROSSEL KPL. / THROTTLE / ETRANGLEMENT	4.580-282.0	1
6	KOLBEN KPL. / PISTON / PISTON	6.964-025.0	3
7	DRUCKFEDER / PRESSURE SPRING / RESSORT A PRESSION	6.964-024.0	3
8	O-RING / GASKET / BAQUE D'ETANCHEITE	6.964-072.0	1
9	O-RING 9,19X2,62 / GASKET / BAQUE D'ETANCHEITE	9.081-396.0	1
10	BYPASSVENTIL / BY-PASS VALVE / SOUPAPE A BYPASS	9.001-088.0	1
11	VENTILSITZ KPL. / VALVE SEAT / SIEGE DE SOUPAPE	9.011-494.0	1
12	O-RING 72X2 NBR70 / GASKET / BAQUE D'ETANCHEITE	9.081-373.0	1
13	KLAMMER / CLAMP / BRIDE DE FIXATION	6.964-101.0	1
14	MUTTER / NUT / ECROU	5.310-118.0	1
15	FLACHDICHTUNG / SEAL / GARNITURE PLATE	5.364-129.0	1
16	O-RING 17,12X 2,62 / GASKET / BAQUE D'ETANCHEITE	6.362-496.0	1
17	SIEB / STRAINER / CREPINE	6.414-252.0	1
18	DICHTBUCHSE / DICHTBUCHSE / DICHTBUCHSE	4.363-016.0	1
19	SCHEIBE / WASHER / RONDELLE	9.036-083.0	3
20	NUTRING / GROOVED RING / JOINT A LEVRES	6.964-026.0	3
21	KUPPLUNG LANG / COUPLER / COUPLEUR	9.036-261.0	1
22	NIPPEL / NIPPLE / NIPPLE	9.036-256.0	1
23	NUTRING / GROOVED RING / JOINT A LEVRES	9.079-009.0	1
24	O-RING 8,0 X 2,0 / GASKET / BAQUE D'ETANCHEITE	7.362-507.0	1
25	O-RING 7,0 X 2,0 / GASKET / BAQUE D'ETANCHEITE	6.362-690.0	1

"=> xxxxxx" = bis Werknummer / up to serial No. / jusqu' au No. de fabr. / "xxxxxx =>" = ab Werknummer / from serial No. / a partir du No. de fabr. /

GRUPPE: 3.0 MOTOR
GROUP: 3.0 MOTOR
GRUPPE: 3.0 MOTEUR

A3

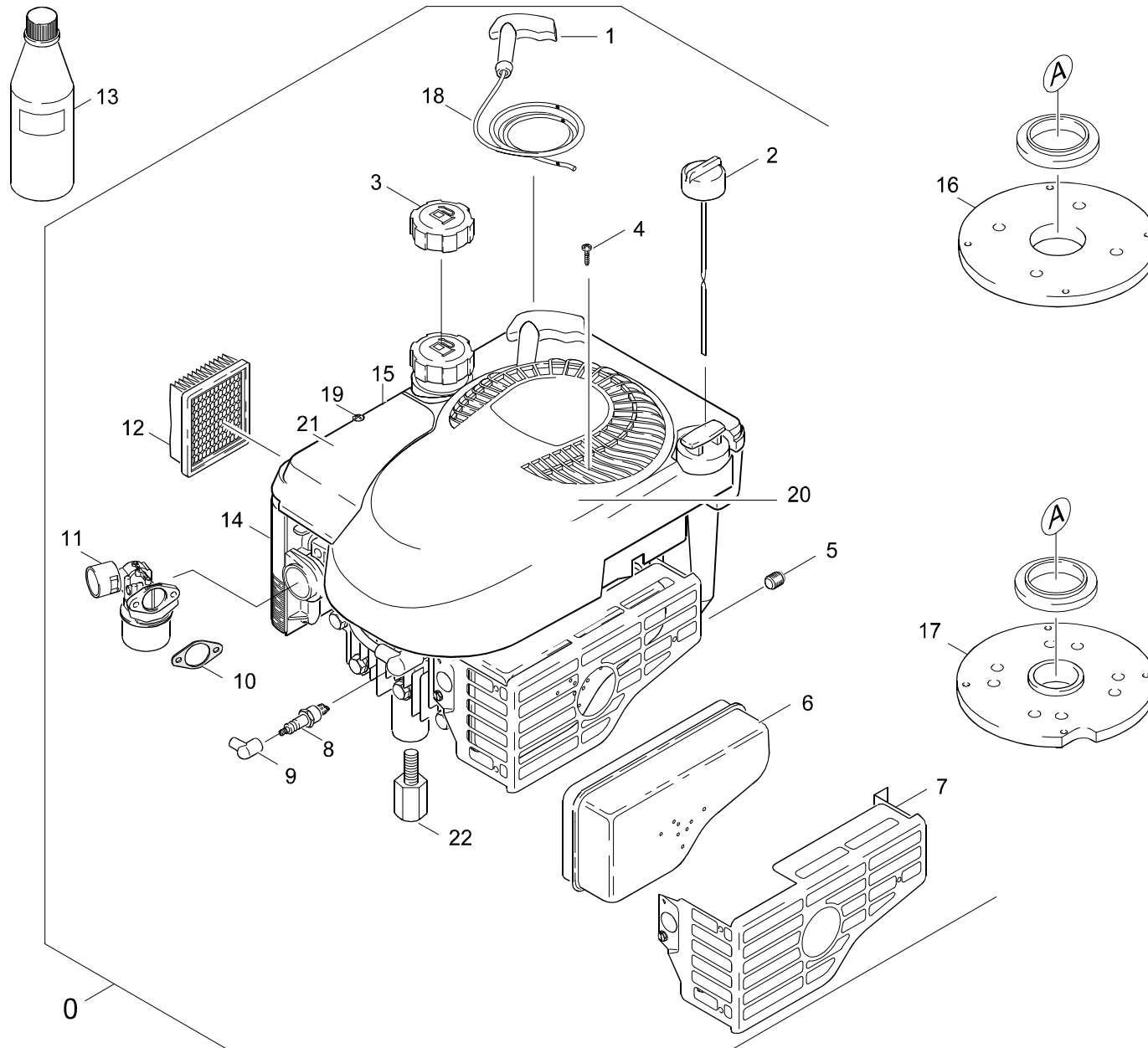
K 4000 GS

GRUPPE: 3.0 MOTOR
GROUP: 3.0 MOTOR
GRUPPE: 3.0 MOTEUR

GRUPPE: 3.1 MOTOR
GROUP: 3.1 MOTOR
GRUPPE: 3.1 MOTEUR

B3

K 4000 GS



Symbolbeschreibung siehe M16 / symbol description see M16 / désignation de système voir M16 /

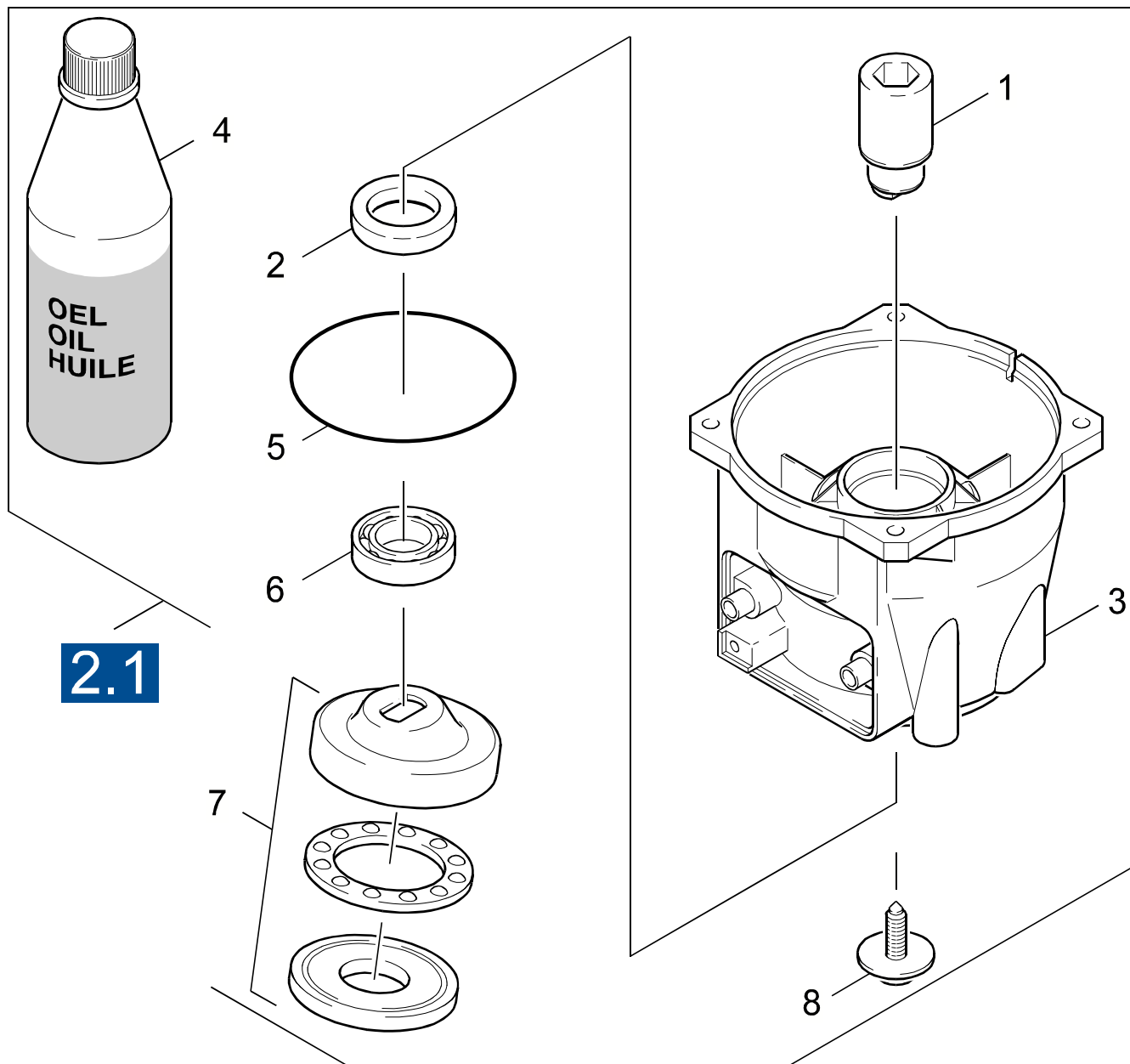
GRUPPE: 3.1 MOTOR
GROUP: 3.1 MOTOR
GROUPE: 3.1 MOTEUR

C3

K 4000 GS

POS. ITM. POS.	BENNENNUNG DESCRIPTION DESIGNATION	TEILE-NR. PART-NO. NO.PIECE	STCK QTY. NBR.
0	MOTOR B&S 5PS KPL. / MOTOR / MOTEUR	9.194-012.0	1
1	STARTERSEIL GRIFF / STARTER ROPE / CORDE DE DEMARREUR	9.194-441.0	1
2	OELMESSTAB / OIL DIP ROD / JAUGE NIVEAU D'HUILE	9.194-867.0	1
3	TANKDECKEL / CAP OF A TANK / BOUCHON DE RESERVOIR	6.491-331.0	1
4	SCHRAUBE / SCREW / VIS	9.194-458.0	1
5	ABLASSSCHRAUBE / DRAIN SCREW / VIS D'ECOULEMENT	9.194-384.0	1
6	AUSPUFF / EXHAUST / ECHAPPEMENT	9.194-443.0	1
7	SCHUTZGITTER / PROTECTIV GRID / GRILLE PROTECTRICE	9.194-453.0	1
8	ZUENDKERZE / IGNITION PLUG / BOUGIE D'ALLUMAGE	6.491-102.0	1
9	ZUENDKERZENSTECKER / STARK PLUG CONNECTOR / COSSE POUR BOUGIE	6.970-104.0	1
10	DICHTUNG / SEAL / BOURRAGE	9.194-436.0	1
11	VERGASER / CARBURETOR / CARBURATEUR	9.194-447.0	1
12	LUFTFILTERELEMENT / AIR FILTER ELEMENT / CARTOUCHE FILTRANTE	6.491-338.0	1
13	MOTORENOEL 1L / ENGINE OIL / HUILE (MOTEUR) MOTOR 1,1L/MOTOR 1,1L/MOTEUR 1,1L	6.288-050.0	1
14	ABDECKUNG / COVERING CAP / CHAPEAU	9.194-388.0	1
15	ABDECKUNG / COVERING CAP / CHAPEAU	9.194-460.0	1
16	FLANSCH / FLANGE / BRIDE	9.144-002.0	1
17	FLANSCH / FLANGE / BRIDE	9.144-005.0	1
18	ANLASSERSEIL / STARTER ROPE / CABLE DE DEMARRAGE	6.491-334.0	1
19	SCHRAUBE / SCREW / VIS	9.194-459.0	1
20	HAUBE / COVER / CAPOT	9.194-461.0	1
21	FILTERABDECKUNG / FILTER COVER / COUVERCLE DE FILTRE	9.194-580.0	1
22	BOLZEN / BOLT / BOULON	9.152-252.0	1

"=> xxxxxx" = bis Werknummer / up to serial No. / jusqu' au No. de fabr. / "xxxxxx =>" = ab Werknummer / from serial No. / a partir du No. de fabr. /



Symbolbeschreibung siehe M16 / symbol description see M16 / désignation de système voir M16 /

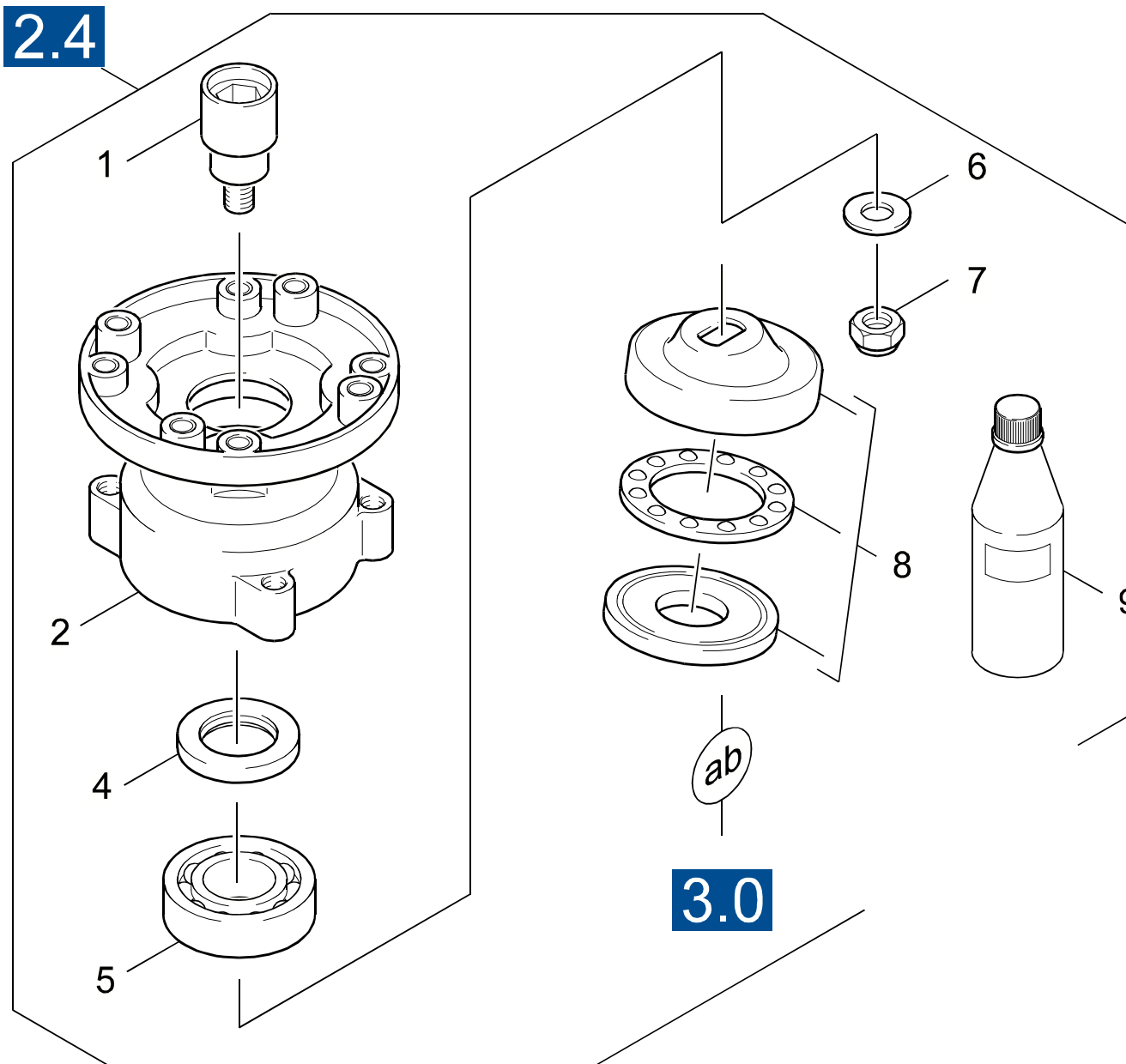
GRUPPE: 3.2 ANTRIEB
GROUP: 3.2 GEAR
GRUPPE: 3.2 ENTRAINEMENT

E3

K 4000 GS

POS.	BENNENUNG	TEILE-NR.	STCK
ITM.	DESCRIPTION	PART-NO.	QTY.
POS.	DESIGNATION	NO.PIECE	NBR.
1	KUPPLUNGSTEIL / COUPLING ELEMENT / PIECE D'ACCOUPL.	5.471-075.0	1
2	RWDR A26 X 37 X 7 / ROTARY SHAFT SEAL / JOINT (ARBRE)	7.367-018.0	1
3	LAGERSCHILD A / END PLATE / FLASQUE	5.093-226.0	1
4	MOTORENOEL 1L / ENGINE OIL / HUILE (MOTEUR)	6.288-050.0	1
5	O-RING 80,0 X 3,0 / GASKET / BAQUE D'ETANCHEITE	6.362-471.0	1
6	KUGELLAGER 6304 / BALL BEARING / ROULEMENT A BILLE	7.401-155.0	1
7	TAUMELSCHIEBE / SWASH PLATE / DISQUE EN NUTATION	6.401-256.0	1
8	ZYL.SCHR. M 6X 19 / CHEESE HEAD SCREW / VIS A TETE CYLINDR.	6.304-048.0	1

"=> xxxxxx" = bis Werknummer / up to serial No. / jusqu' au No. de fabr. / "xxxxxx =>" = ab Werknummer / from serial No. / a partir du No. de fabr. /



Symbolbeschreibung siehe M16 / symbol description see M16 / désignation de système voir M16 /

GRUPPE: 3.3 ANTRIEB
GROUP: 3.3 GEAR
GRUPPE: 3.3 ENTRAINEMENT

G3

K 4000 GS

POS.	BENNENUNG	TEILE-NR.	STCK
ITM.	DESCRIPTION	PART-NO.	QTY.
POS.	DESIGNATION	NO.PIECE	NBR.
1	KUPPLUNG / COUPLER / COUPLEUR	9.039-072.0	1
2	GEHAEUSE / HOUSING / BOITIER	9.042-013.0	1
4	WELLENDICHTRING / ROTARY SHAFT SEAL / JOINT (ARBRE)	9.078-002.0	1
5	AXIALRILLENKUGELLA. / AXIAL BALL BEARING / AXIAL ROULEMENT A BILLE	9.087-014.0	1
6	SCHEIBE 10,2X25X1 / WASHER / RONDELLE	9.096-113.0	1
7	MUTTER / NUT / ECROU	9.086-303.0	1
8	TAUMELSCHEIBE / SWASH PLATE / DISQUE EN NUTATION	6.401-256.0	1
9	MOTORENOEL 1L / ENGINE OIL / HUILE (MOTEUR)	6.288-050.0	1

"=> xxxxxx" = bis Werknummer / up to serial No. / jusqu' au No. de fabr. / "xxxxxx =>" = ab Werknummer / from serial No. / a partir du No. de fabr. /

GRUPPE: 4.0 ZUBEHOER
GROUP: 4.0 ACCESSORIES
GRUPPE: 4.0 ACCESSOIRES

A4

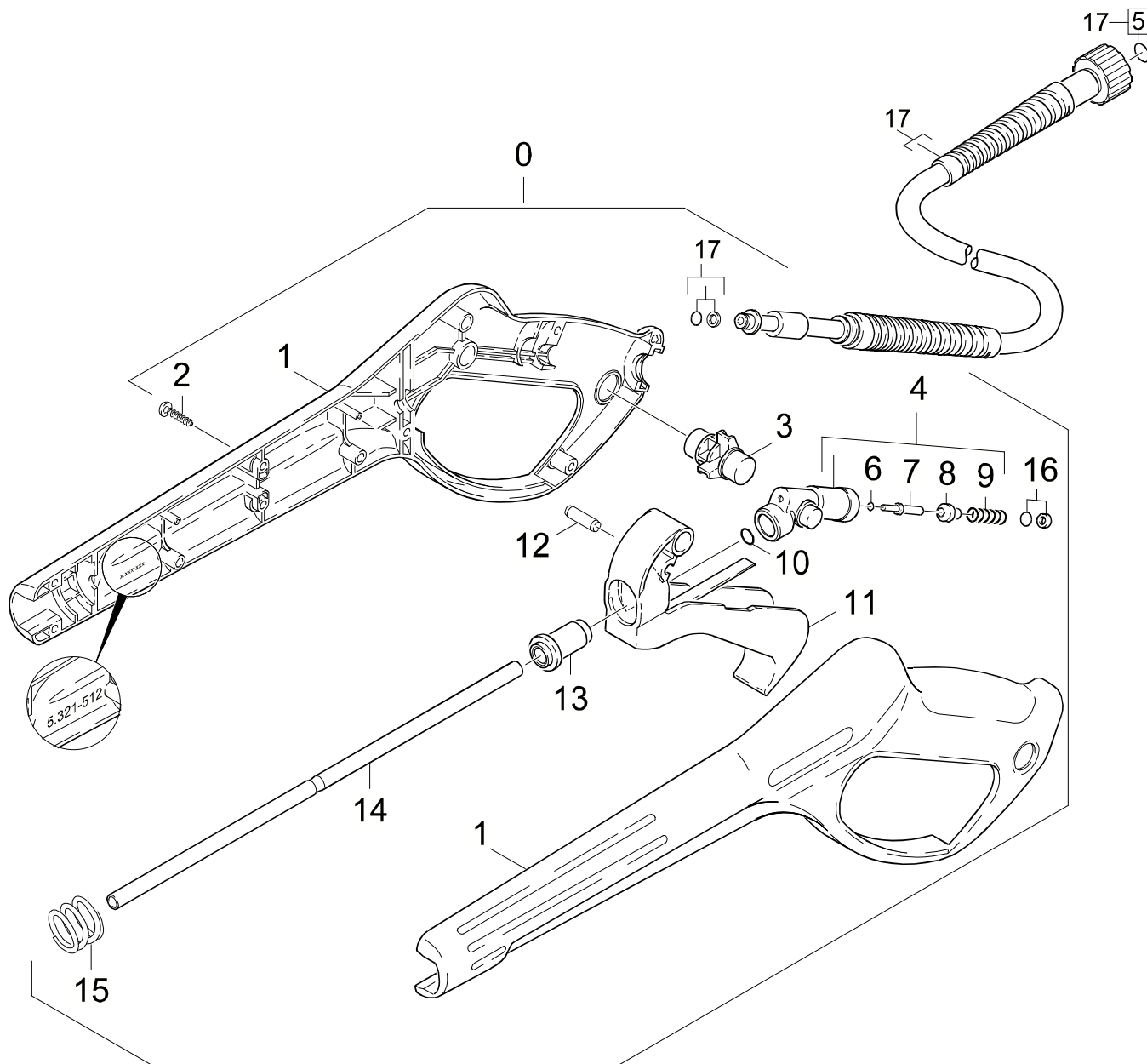
K 4000 GS

GRUPPE: 4.0 ZUBEHOER
GROUP: 4.0 ACCESSORIES
GRUPPE: 4.0 ACCESSOIRES

GRUPPE: 4.1 HANDSPRITZPISTOLE
GROUP: 4.1 TRIGGER GUN
GRUPPE: 4.1 POIGNEE PISTOLET

B4

K 4000 GS



Symbolbeschreibung siehe M16 / symbol description see M16 / désignation de système voir M16 /

GRUPPE: 4.1 HANDSPRITZPISTOLE
GROUP: 4.1 TRIGGER GUN
GROUPE: 4.1 POIGNEE PISTOLET

C4

K 4000 GS

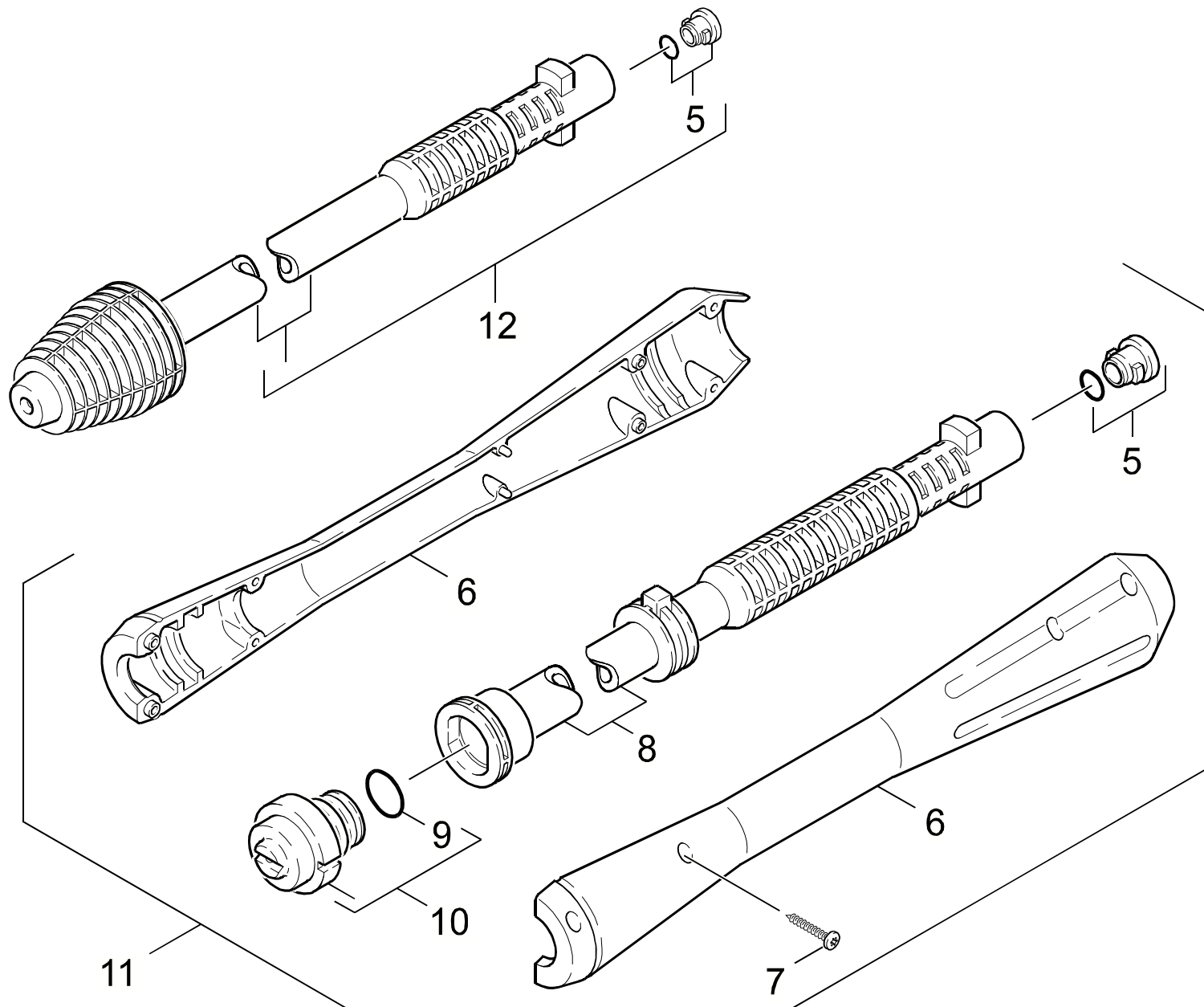
POS. ITM. POS.	BENNENUNG DESCRIPTION DESIGNATION	TEILE-NR. PART-NO. NO.PIECE	STCK QTY. NBR.
0	PISTOLE 96 ERSATZ / PISTOL / PISTOLET	4.775-264.0	1
1	GRIFFPAAAR / HANDLES / BRANCHES POIGNEE	5.321-512.0	1
2	LINSENSCHR. 4,2X 13 / OVAL HEAD SCREW / VIS A TETE BOMBEE	6.303-122.0	9
3	HEBEL VERRIEGELUNG / LEVER / LEVIER	5.481-189.0	1
4	KNOTENSTUECK KPL. / MANIFOLD / FERRURE NODALE	4.427-178.0	1
5	ERSATZTEILSET / SPARE PARTS KIT / KIT DE PIECES	2.880-296.0	1
6	O-RING 2,8 X 1,6 / GASKET / BAQUE D'ETANCHEITE	7.362-502.0	1
7	STANGE / BAR / TIGE	5.107-147.0	1
8	VENTILTELLER / VALVE DISC / TETE DE SOUPAPE	5.582-058.0	1
9	SCHRAUBENFEDER / HELICAL SPRING / RESSORT CYLINDRIQUE	5.332-157.0	1
10	O-RING 7,59X 2,62 / GASKET / BAQUE D'ETANCHEITE	6.362-479.0	1
11	HEBEL KPL. / LEVER / LEVIER	4.481-105.0	1
12	STIFT / PIN / CHEVILLE	5.314-082.0	1
13	HUELSE / SLEEVE / DOUILLE	5.110-539.0	1
14	ROHR PISTOLE / PIPE / TUYAU	5.028-905.0	1
15	DRUCKFEDER / PRESSURE SPRING / RESSORT A PRESSION	5.332-349.0	1
16	O-RING KPL./1ST.-R. / GASKET / BAQUE D'ETANCHEITE	6.363-115.0	1
17	HD-SCHLAUCH 15MPA / HIGH PRESSURE HOSE / TUYAU FLEXIBLE HAUTE PRE.	6.389-555.0	1

"=> xxxxxx" = bis Werknummer / up to serial No. / jusqu' au No. de fabr. / "xxxxxx =>" = ab Werknummer / from serial No. / a partir du No. de fabr. /

GRUPPE: 4.2 STRAHLROHR
GROUP: 4.2 JET PIPE
GRUPPE: 4.2 LANCE D'INCENDIE

D4

K 4000 GS



Symbolbeschreibung siehe M16 / symbol description see M16 / désignation de système voir M16 /

GRUPPE: 4.2 STRAHLROHR
GROUP: 4.2 JET PIPE
GROUPE: 4.2 LANCE D'INCENDIE

E4

K 4000 GS

POS. ITM. POS.	BENNENUNG DESCRIPTION DESIGNATION	TEILE-NR. PART-NO. NO.PIECE	STCK QTY. NBR.
5	ERSATZTEILSET / SPARE PARTS KIT / KIT DE PIECES	2.883-111.0	2
6	GRIFFPAAR / HANDLES / BRANCHES POIGNEE	5.321-445.0	1
7	LINSENSCHR. 4,2X 13 / OVAL HEAD SCREW / VIS A TETE BOMBEE	6.303-122.0	8
8	STRAHLROHR VP / JET PIPE / LANCE D'INCENDIE	5.029-842.0	1
9	O-RING 18,0 X 2,0 / GASKET / BAQUE D'ETANCHEITE	6.362-534.0	1
10	DUESENKOPF VP 034 / NOZZLE CAP / BUSE	4.762-126.0	1
11	STRAHLROHR VP 034 / JET PIPE / LANCE D'INCENDIE	4.760-324.0	1
12	ROTORDUESE 037 / ROTARY NOZZLE / BUSE JET ROTATIF	4.763-228.0	1

"=> xxxxxx" = bis Werknummer / up to serial No. / jusqu' au No. de fabr. / "xxxxxx =>" = ab Werknummer / from serial No. / a partir du No. de fabr. /